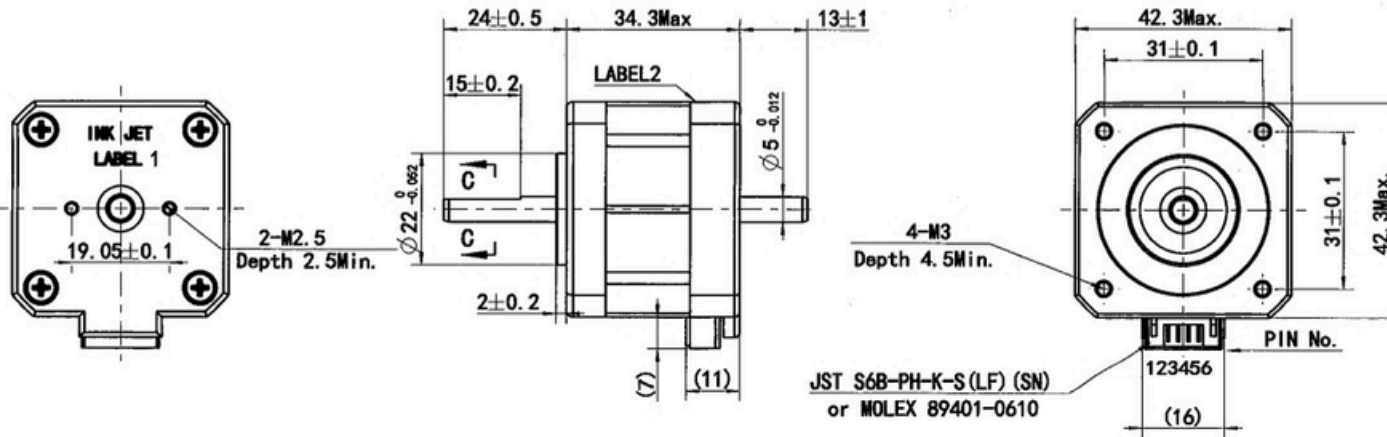
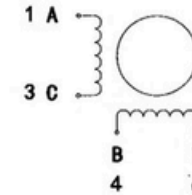


# MS17HA4P4150-M



Wiring Diagram



Exciting Sequence vs. Direction of Rotation

STEP	A	B	C	D	
1	+	+	-	-	CCW ↑ CW ↓
2	-	+	+	-	
3	-	-	+	+	
4	-	-	-	+	

Clockwise view from mounting side



Label 2 Detail

**STEPPING MOTOR**

Insulation: Class B, 60VDC Max.

1.5Amps Holding: 0.28Nm

3000RPM Max. **CALUS**

UL FILE No. E465363 XXX

Factory ID



Label 1 Detail

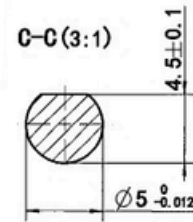
TYPE MS17HA4P4150-M

XXXXXXXX YY/MM/DD

Work Order

Date Format

Specification	
1. Number of Phase	2
2. Step Angle	0.9°
3. Rated Voltage	2.34 V DC
4. Rated Current	1.5 Amp
5. Holding Torque	0.28 Nm Typ. (Two phase on/rated current)
6. Phase Resistance	1.56 ohm ±10% (20°C)
7. Phase Inductance	4.1 mH ±20%(1kHz 1V rms)
8. Rotor Inertia	38 gcm <sup>2</sup>
9. Motor Weight	0.21 kg
10. Insulation Class	B (130°C)



		Unit:mm									
		First angle method			Approve						
		Tolerances for linear and angular dimensions without individual tolerance indications GB/T 1804-m eqv ISO 2768-1:m		Standardize							
		Geometrical tolerance for features without individual tolerance indications GB/T 1184-K eqv ISO 2768-2:K		Process Review							
A1	EGR23-317	⚠	2023.03.24	Check							
A0	Original revision		2017.09.19	Design							
REV.	REVISION RECORD		DATE	UNLESS OTHERWISE SPECIFIED	NAMES	SIGNATURE	DATE	Drawing No: 4611110027532	Rev. A1	SCALE: 1:1	Sheet 1 of 1

# PIVEXIN TECHNOLOGY